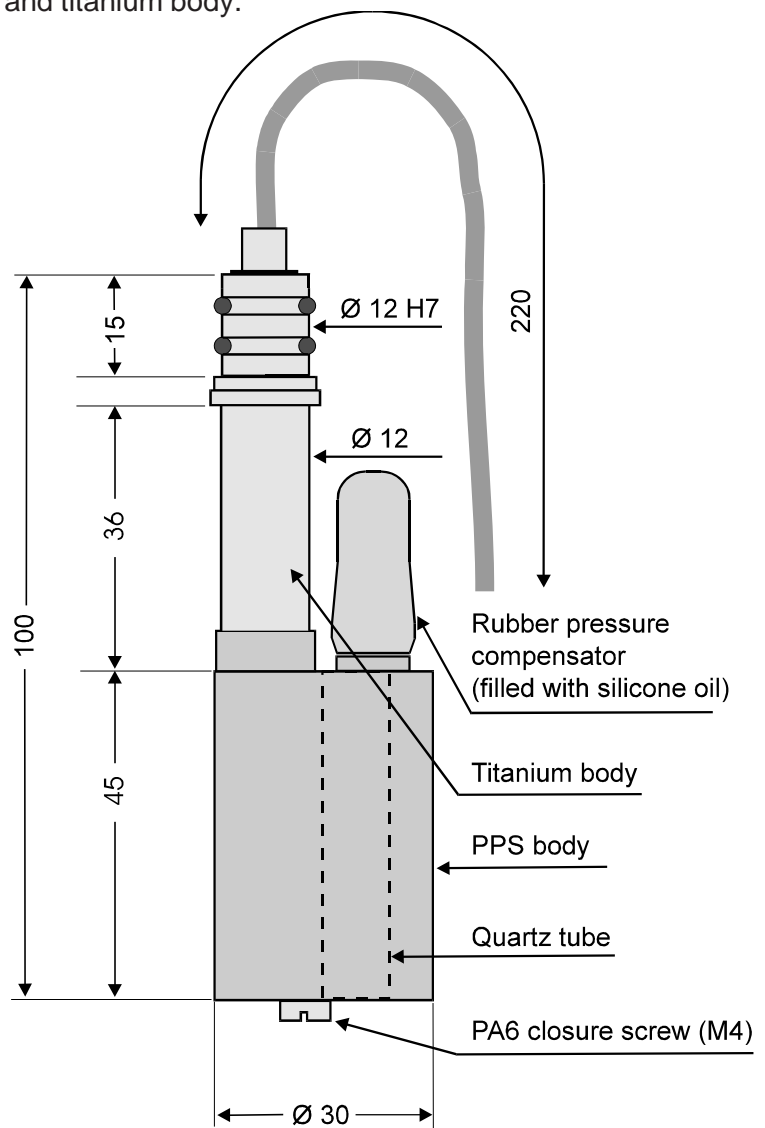


Conductivity measurement is accomplished by using an advanced platinum seven-ring quartz cell. The advantage of this design is that there are no platinum black surfaces which can be contaminated or can deteriorate during profiling or monitoring; it is easy to be cleaned in the field.

Technical specifications:

Cell dimensions:	inner diameter 8 mm, length 45 mm.
Cell type:	seven platinum rings deposited inside a quartz tube.
Range:	0 .. 130 mS.
Response time:	50 ms *
Operating pressure:	600 bar.
Maximum pressure:	700 bar.
Output connections:	6 x 0.4 mm insulated copper wires (two rings use the same wire).
Mounting:	through 12 mm hole with two O-ring seals (Parker 2-12).
Weight:	65 gr.
Body:	black plastic and titanium body.
Filling for pressure compensation:	silicone oil

* at 1 m/second flow



NOTE: Dimensions are in millimeters.



IDRONAUT

I - 20047 Brugherio (MI) ITALY
 Via Monte Amiata, 10
 Tel. +39 039 879656 Fax +39 039 883382
 e-mail: idronaut@idronaut.it
 http://www.idronaut.it

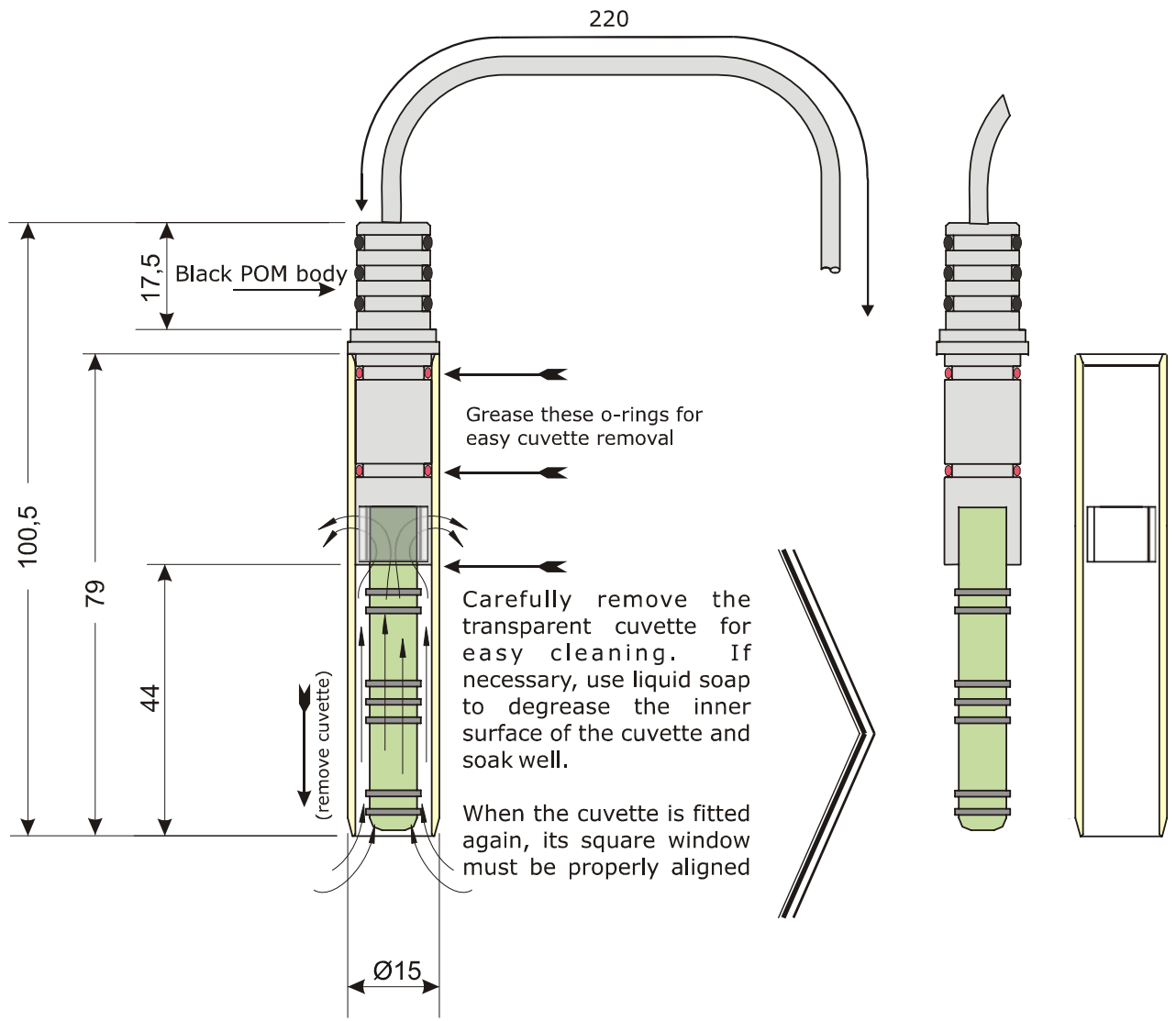
**FLOW CONDUCTIVITY SENSOR
(700 bar)**

Issue: May 1983

Revision: May 1995

TECHNICAL SPECIFICATIONS

Sheet 1/2



JANUARY 2006



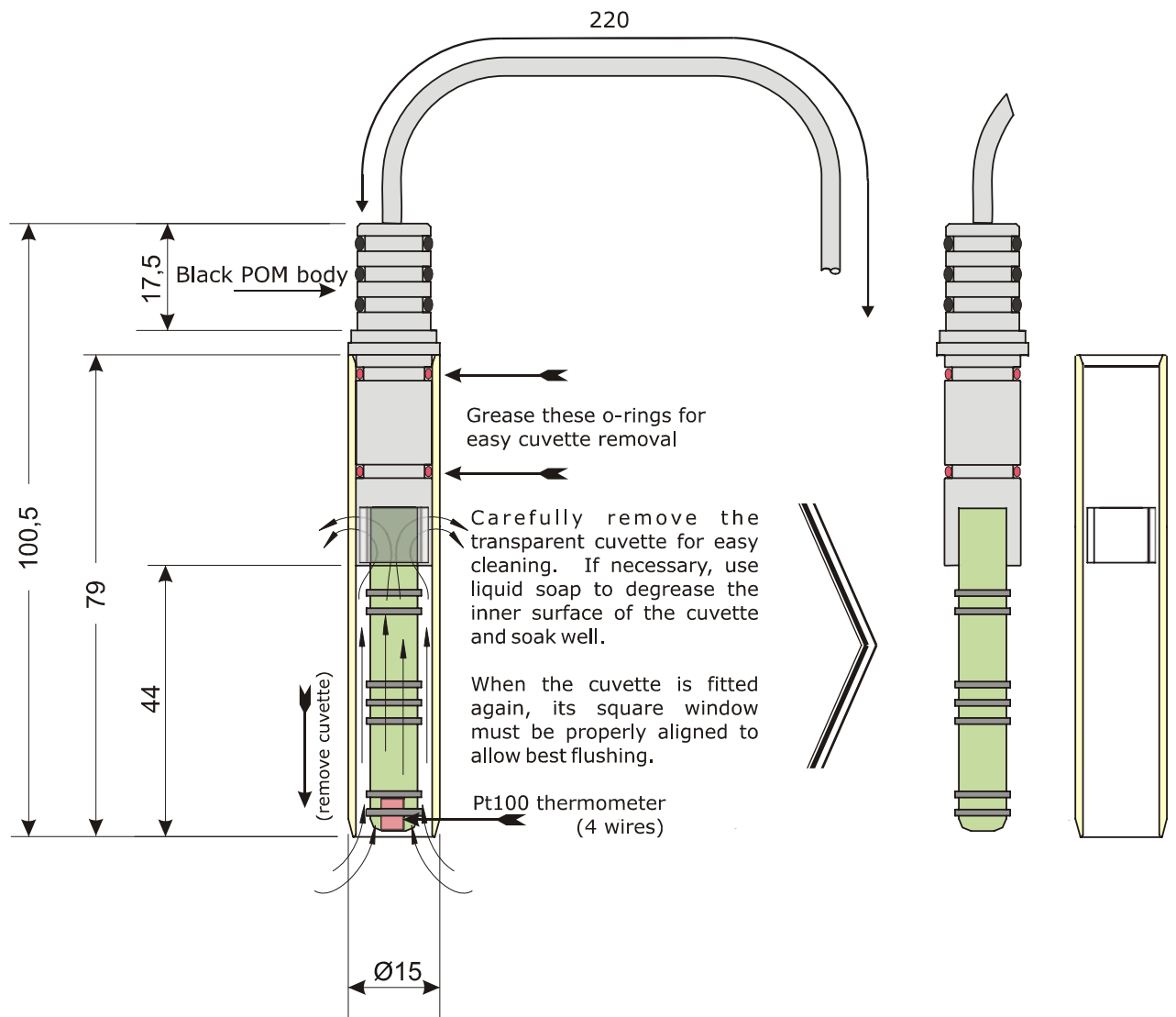
IDRONAUT S.r.l.

I - 20047 Brugherio (MI) ITALY
 Via Monte Amiata, 10
 Tel. +39 039883832 Fax +39 039883382
 e-mail: idronaut@idronaut.it
 http://www.idronaut.it

7-RING PLATINUM CONDUCTIVITY CELL

TECHNICAL SPECIFICATIONS

Sh. 1 of 1



JANUARY 2006



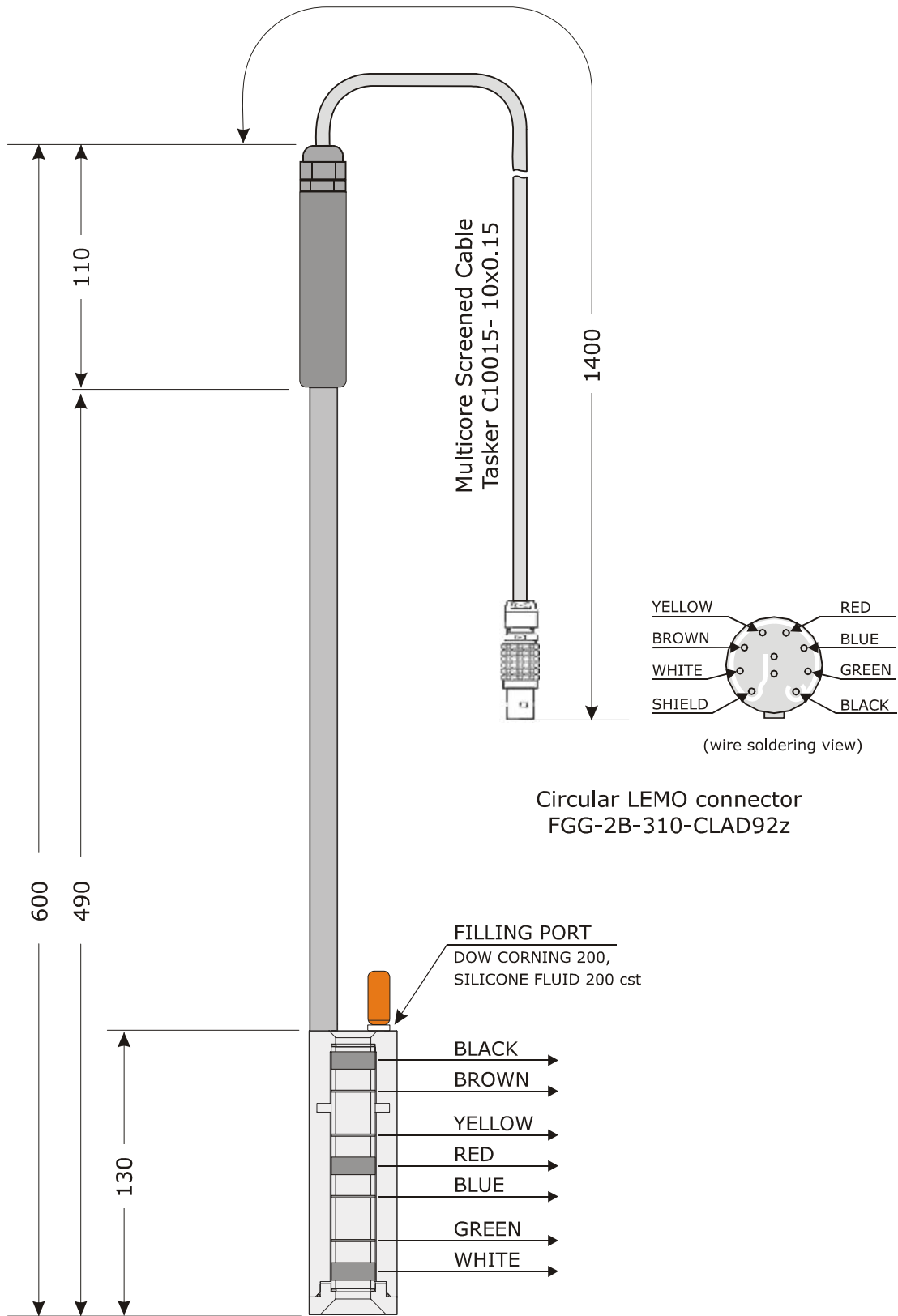
IDRONAUT S.r.l.

I - 20047 Brugherio (MI) ITALY
 Via Monte Amiata, 10
 Tel. +39 039883832 Fax +39 039883382
 e-mail: idronaut@idronaut.it
 http://www.idronaut.it

**7-RING PLATINUM CONDUCTIVITY CELL
 WITH Pt100 (4 wires) THERMOMETER**

TECHNICAL SPECIFICATIONS

Sh. 1/of 1



NOTE: Dimensions are in millimeters.



IDRONAUT

I - 20047 Brugherio (MI) ITALY
Via Monte Amiata, 10
Tel: +39 039 883832 Fax +39 039 883382
e-mail: idronaut@idronaut.it
<http://www.idronaut.it>

CT01 - REFERENCE CONDUCTIVITY CELL

TECHNICAL SPECIFICATIONS

Sheet 1/1