

## Datasheet

# Compatt/ DPT Transponder Flotation Collar



### Description

Sonardyne's range of subsurface flotation collars enable acoustic navigation and positioning transponders to be deployed, moored on the seabed and then recovered to the surface.

The floats are compatible with all Sonardyne's latest generation Compatt 5 and DPT Wideband transponders as well as previous generation Mk4 Compatts. They can be used with directional and omnidirectional transducer types

Manufactured from high performance materials appropriate to the required depth rating, each float assembly comes in two halves and is clamped around the transponder using stainless steel fixings.

Bright colours ensure good visibility, either when subsea and viewed from an ROV's camera or when floating on the surface prior to recovery.

Once on the surface, the flotation collar is designed so that the transponder floats in a downward position insuring that the acoustic transducer is kept submerged. This can assist with relocating the transponder using a vessel-based acoustic positioning system and also protects the acoustic transducer during recovery back onboard.

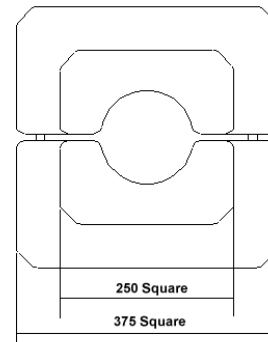
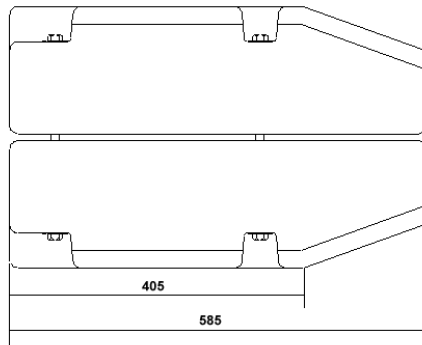
### Key Features

- Manufactured from syntactic foam core encapsulated within a high visibility polyurethane elastomer coating
- Compatible with Sonardyne Compatt 5, DPT and Mk4 Compatt transponders
- Lifting eyelet inserts incorporated to ease transponder deployment and recovery
- Designed to stack, not roll, on vessel deck
- Available in 1,000, 3,000, 5,000 and 7,000 metre depth ratings

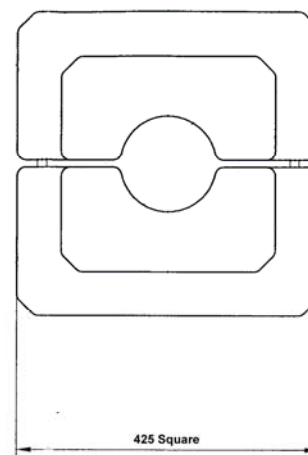
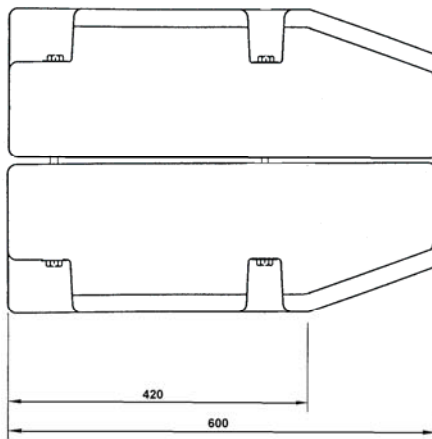
## Specifications

# Compatt/ DPT Transponder Flotation Collar

1,000 metre rated



3,000, 5,000 and 7,000 metre rated



Depth	1,000 metres	3,000 metres	5,000 metres	7,000 metres
Weight In Air	34.5kg	64kg	64.2kg	64kg
Nett Buoyancy	30kg	32.7kg	32.1kg	27kg
Dimensions (LxWxD)	585mm x 375mm x 375mm	595mm x 445mm x 445mm	595mm x 445mm x 445mm	595mm x 445mm x 445mm
Part Number	870-0236	870-0251	870-0378	870-0377